

CLAMP TOGETHER DUCT SYSTEMS

2021 CATALOG



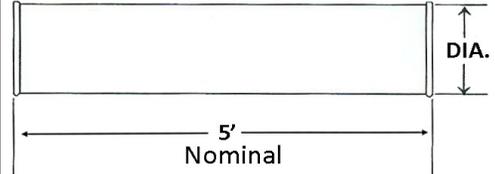
CT PIPE 5 FT. SECTIONS

DIA.	PART #	GALV. GA.	WGT.	PRICE 5 FT.
3"	CTPIPE03	18	4.0	\$31.70
4"	CTPIPE04	22	5.4	\$31.70
5"	CTPIPE05	22	6.7	\$34.70
6"	CTPIPE06	22	7.9	\$41.80
7"	CTPIPE07	22	11.7	\$51.20
8"	CTPIPE08	22	13.3	\$57.50
9"	CTPIPE09	22	14.9	\$62.20
10"	CTPIPE10	22	16.6	\$66.90
11"	CTPIPE11	22	18.1	\$80.20
12"	CTPIPE12	22	19.8	\$80.20
14"	CTPIPE14	20	27.3	\$103.30
16"	CTPIPE16	20	29.3	\$134.10
18"	CTPIPE18	20	34.0	\$147.80
20"	CTPIPE20	20	38.0	\$177.40
22"	CTPIPE22	20	42.0	\$196.30
24"	CTPIPE24	20	45.8	\$225.80

CT Pipe



- Galvanized with rolled ends
- 5 Ft. Sections
- Seam welded



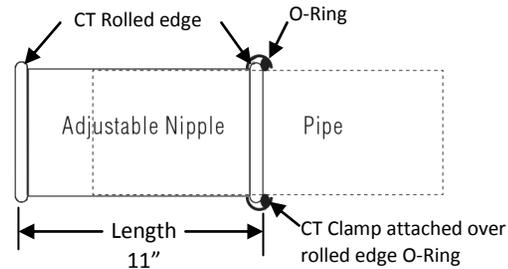
ADJUSTABLE SLEEVE W/ O-RING

DIA.	PART #	GALV. GA.	WGT.	PRICE
3"	CTSLEEVE03	22	0.8	\$19.20
4"	CTSLEEVE04	22	1.1	\$19.20
5"	CTSLEEVE05	22	1.3	\$19.60
6"	CTSLEEVE06	22	1.6	\$20.20
7"	CTSLEEVE07	22	2.4	\$24.20
8"	CTSLEEVE08	22	2.7	\$24.70
9"	CTSLEEVE09	22	3.1	\$26.00
10"	CTSLEEVE10	22	3.4	\$26.50
11"	CTSLEEVE11	22	3.8	\$30.30
12"	CTSLEEVE12	22	4.2	\$30.30
14"	CTSLEEVE14	20	5.9	\$41.00
16"	CTSLEEVE16	20	6.7	\$47.10
18"	CTSLEEVE18	20	7.5	\$55.00
20"	CTSLEEVE20	20	8.1	\$67.40
22"	CTSLEEVE22	20	8.8	\$79.70
24"	CTSLEEVE24	20	9.7	\$91.70

Adjustable Sleeve With O-Ring



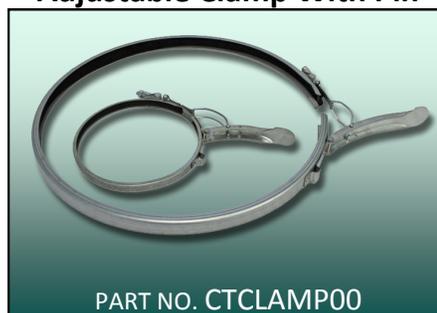
- Used to provide variable length adjustment of CT pipe system
- Black O-Ring included
- High Temp Red O-Ring available
- Sleeve Length 11 inches



ADJUSTABLE CLAMP W/ PIN

DIA	PART #	WGT.	PRICE
3"	CTCLAMP03	0.3	\$10.00
4"	CTCLAMP04	0.3	\$10.70
5"	CTCLAMP05	0.3	\$11.50
6"	CTCLAMP06	0.3	\$11.90
7"	CTCLAMP07	0.5	\$12.50
8"	CTCLAMP08	0.6	\$12.90
9"	CTCLAMP09	0.6	\$13.30
10"	CTCLAMP10	0.7	\$14.50
11"	CTCLAMP11	0.7	\$15.70
12"	CTCLAMP12	1.3	\$15.70
14"	CTCLAMP14	1.5	\$17.10
16"	CTCLAMP16	1.6	\$18.90
18"	CTCLAMP16	1.8	\$19.60
20"	CTCLAMP20	1.9	\$20.50
22"	CTCLAMP22	2.0	\$21.50
24"	CTCLAMP24	2.0	\$24.70

Adjustable Clamp With Pin



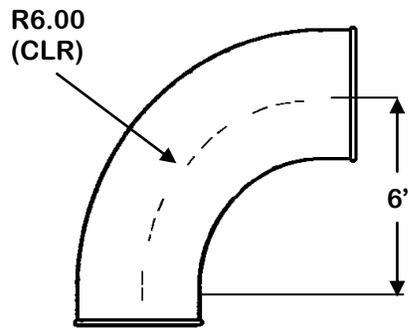
- Adjustment screw provides variable tension for a perfect fit
- Internal gasket seal included

90° ELBOWS

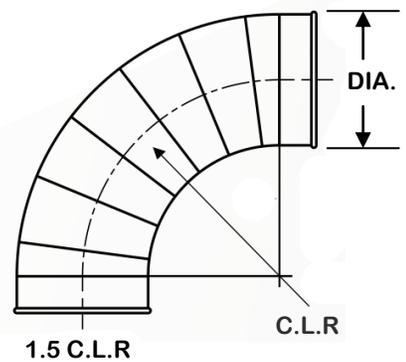
DIA.	PART #	CLR	STYLE	GALV. GA.	WT.	PRICE
3"	CTEL9003	1.5	P	24	0.9	\$46.40
4"	CTEL9004	1.5	P	24	1.0	\$57.30
5"	CTEL9005	1.5	P	24	1.2	\$63.50
6"	CTEL9006	1.5	P	24	1.5	\$71.50
7"	CTEL9007	1.5	P	24	2.2	\$95.40
8"	CTEL9008	1.5	S	22	6.1	\$139.00
9"	CTEL9009	1.5	S	22	7.6	\$144.30
10"	CTEL9010	1.5	S	22	9.0	\$150.20
11"	CTEL9011	1.5	S	22	10.5	\$190.70
12"	CTEL9012	1.5	S	22	12.4	\$190.70
14"	CTEL9014	1.5	S	20	19.0	\$202.60
16"	CTEL9016	1.5	S	20	24.0	\$207.90
18"	CTEL9018	1.5	S	20	30.9	\$292.30
20"	CTEL9020	1.5	S	20	35.9	\$341.00
22"	CTEL9022	1.5	S	20	43.0	\$438.70
24"	CTEL9024	1.5	S	20	55.5	\$504.40

P= Press Formed S= Segmented
C.L.R.= Center Line Radius

90° Elbow - Press Formed

90° Elbow - Segmented


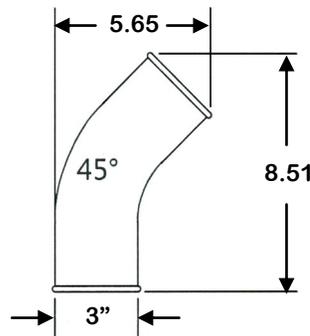
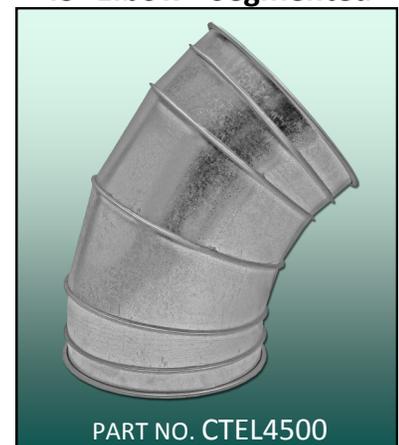
Example Shown:
4" 90 Deg. Elbow 1.5 CLR = 6"


45° ELBOWS

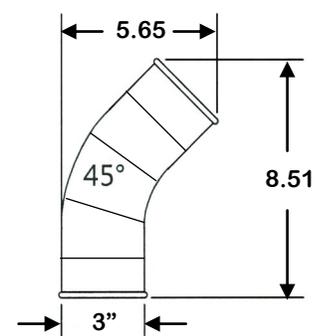
DIA.	PART #	CLR	STYLE	GALV. GA.	WT.	PRICE
3"	CTEL4503	1.5	P	24	0.9	\$41.90
4"	CTEL4504	1.5	P	24	1.0	\$48.90
5"	CTEL4505	1.5	P	24	1.1	\$54.10
6"	CTEL4506	1.5	P	24	1.2	\$64.30
7"	CTEL4507	1.5	P	24	1.3	\$90.60
8"	CTEL4508	1.5	S	22	3.7	\$97.90
9"	CTEL4509	1.5	S	22	4.8	\$99.70
10"	CTEL4510	1.5	S	22	5.3	\$103.90
11"	CTEL4511	1.5	S	22	6.0	\$109.80
12"	CTEL4512	1.5	S	22	7.3	\$109.80
14"	CTEL4514	1.5	S	20	11.4	\$118.40
16"	CTEL4516	1.5	S	20	13.8	\$158.70
18"	CTEL4518	1.5	S	20	17.8	\$182.60
20"	CTEL4520	1.5	S	20	20.0	\$218.20
22"	CTEL4522	1.5	S	20	23.9	\$250.40
24"	CTEL4524	1.5	S	20	28.0	\$288.10

P= Press Formed S= Segmented
C.L.R.= Center Line Radius

45° Elbow - Press Formed

45° Elbow - Segmented


3" 45 Deg. Elbow (1.5 CLR)



3" 45 Deg. Elbow (1.5 CLR)

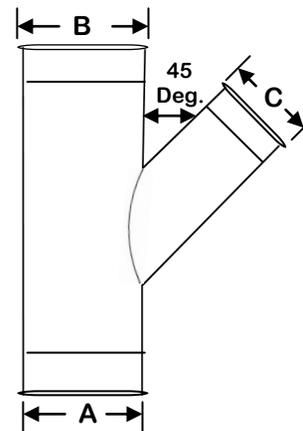
BRANCH

SIZE	PART #	ENDS	GA.	WGT.	PRICE
3"	CTB03-XX-XX	CT	22	2.3	\$128.00
4"	CTB04-XX-XX	CT	22	3.0	\$128.00
5"	CTB05-XX-XX	CT	22	3.8	\$134.80
6"	CTB06-XX-XX	CT	22	4.3	\$139.30
7"	CTB07-XX-XX	CT	22	5.0	\$141.50
8"	CTB08-XX-XX	CT	22	6.0	\$144.80
9"	CTB09-XX-XX	CT	22	7.3	\$151.60
10"	CTB10-XX-XX	CT	22	8.5	\$161.70
11"	CTB11-XX-XX	CT	22	9.3	\$179.70
12"	CTB12-XX-XX	CT	20	10.8	\$179.70
14"	CTB14-XX-XX	CT	20	13.5	\$210.80
16"	CTB16-XX-XX	CT	20	17.6	\$242.70
18"	CTB18-XX-XX	CT	20	21.0	\$264.00
20"	CTB20-XX-XX	CT	20	30.0	\$317.80
22"	CTB22-XX-XX	CT	20	39.5	\$399.70
24"	CTB24-XX-XX	CT	20	53.5	\$459.60
26"	CTB26-XX-XX	FL	18	74.0	\$507.60
28"	CTB28-XX-XX	FL	18	98.0	\$649.00
30"	CTB30-XX-XX	FL	18	117.1	\$729.90
CT = CLAMP TOGETHER		FL = FLANGE			

Branch



- All Branches priced by larger end A
- Specify A, B, C
- 45 Degree tap Standard
- 26" and up are flanged. Add additional cost for flange(s)



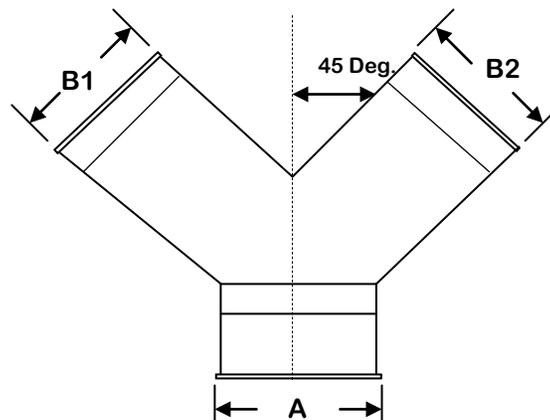
Y BRANCH (PANT LEG DESIGN)

SIZE	PART #	ENDS	GA.	WGT.	PRICE
3"	CTY03-XX-XX	CT	22	1.5	\$164.60
4"	CTY04-XX-XX	CT	22	1.8	\$164.60
5"	CTY05-XX-XX	CT	22	2.0	\$173.50
6"	CTY06XX-XX	CT	22	2.8	\$180.80
7"	CTY07-XX-XX	CT	22	3.3	\$186.10
8"	CTY08-XX-XX	CT	22	4.5	\$194.30
9"	CTY09-XX-XX	CT	22	5.3	\$204.30
10"	CTY10-XX-XX	CT	22	6.8	\$208.20
11"	CTY11-XX-XX	CT	22	8.0	\$239.10
12"	CTY12-XX-XX	CT	20	10.3	\$239.10
14"	CTY14-XX-XX	CT	20	14.0	\$287.90
16"	CTY16-XX-XX	CT	20	17.0	\$320.20
18"	CTY18-XX-XX	CT	20	20.0	\$355.70
20"	CTY20-XX-XX	CT	20	24.5	\$423.20
22"	CTY22-XX-XX	CT	20	29.0	\$486.10
24"	CTY24-XX-XX	CT	20	36.0	\$559.20
26"	CTY26-XX-XX	FL	18	69.0	\$642.90
28"	CTY28-XX-XX	FL	18	93.0	\$738.70
30"	CTY30-XX-XX	FL	18	112.0	\$812.10
CT = CLAMP TOGETHER		FL = FLANGE			

Y Branch



- All Branches priced by large end A
- Specify A and B
- 45 Degree tap standard
- 26" and up are flanged. Add additional cost for Flange(s)



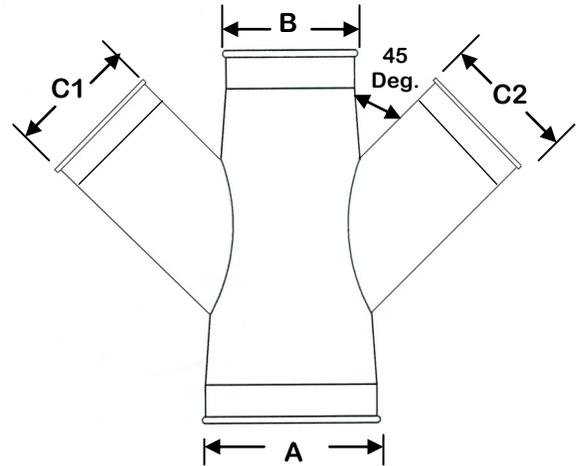
DOUBLE BRANCH

SIZE	PART #	ENDS	GA.	WGT.	PRICE
3"	CTDB03-XX-XX-XX	CT	22	2.6	\$163.80
4"	CTDB04-XX-XX-XX	CT	22	3.5	\$163.80
5"	CTDB05-XX-XX-XX	CT	22	4.4	\$172.60
6"	CTDB06-XX-XX-XX	CT	22	5.0	\$180.00
7"	CTDB07-XX-XX-XX	CT	22	6.0	\$185.20
8"	CTDB08-XX-XX-XX	CT	22	7.3	\$193.60
9"	CTDB09-XX-XX-XX	CT	22	8.5	\$203.20
10"	CTDB10-XX-XX-XX	CT	22	10.0	\$207.30
11"	CTDB11-XX-XX-XX	CT	22	10.8	\$237.80
12"	CTDB12-XX-XX-XX	CT	22	12.3	\$237.80
14"	CTDB14-XX-XX-XX	CT	20	15.0	\$286.40
16"	CTDB16-XX-XX-XX	CT	20	19.6	\$318.70
18"	CTDB18-XX-XX-XX	CT	20	26.0	\$354.10
20"	CTDB20-XX-XX-XX	CT	20	35.0	\$421.30
22"	CTDB22-XX-XX-XX	CT	20	49.5	\$483.90
24"	CTDB24-XX-XX-XX	CT	20	68.4	\$556.50
26"	CTDB26-XX-XX-XX	FL	18	104.0	\$639.80
28"	CTDB28-XX-XX-XX	FL	18	128.0	\$735.30
30"	CTDB30-XX-XX-XX	FL	18	153.0	\$808.30

CT = CLAMP TOGETHER FL = FLANGE

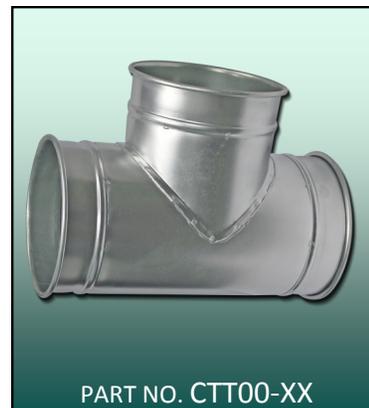
Double Branch


- All Branches priced by large end A
- Specify A, B, C1, C2
- 45 Degree tap standard
- 26" and up are flanged. Additional cost for flange(s)

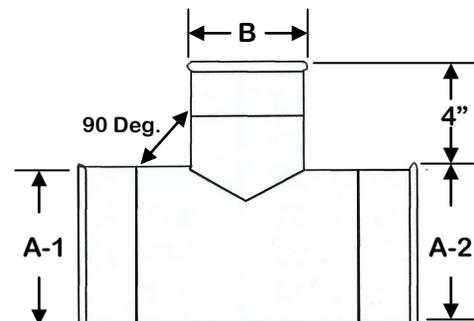

T-BRANCH

SIZE	PART #	ENDS	GA.	WGT.	PRICE
3"	CTT03-XX	CT	22	1.5	\$130.00
4"	CTT04-XX	CT	22	2.0	\$130.00
5"	CTT05-XX	CT	22	2.8	\$136.60
6"	CTT06-XX	CT	22	3.2	\$141.20
7"	CTT07-XX	CT	22	4.0	\$143.40
8"	CTT08-XX	CT	22	4.8	\$147.00
9"	CTT09-XX	CT	22	5.5	\$153.60
10"	CTT10-XX	CT	22	6.0	\$163.80
11"	CTT11-XX	CT	22	7.5	\$182.10
12"	CTT12-XX	CT	22	8.8	\$182.10
14"	CTT14-XX	CT	20	12.0	\$213.90
16"	CTT16-XX	CT	20	14.0	\$246.00
18"	CTT18-XX	CT	20	18.3	\$267.60
20"	CTT20-XX	CT	20	20.5	\$322.20
22"	CTT22-XX	CT	20	24.8	\$405.20
24"	CTT24-XX	CT	20	29.0	\$466.10
26"	CTT26-XX	FL	18	40.3	\$514.70
28"	CTT28-XX	FL	18	45.0	\$658.10
30"	CTT30-XX	FL	18	58.5	\$740.00

CT = CLAMP TOGETHER FL = FLANGE

T-Branch


- All Branches priced by large end
- Specify A and B
- Both A ends are the same
- 26" and up are flanged. Additional cost for flange(s)



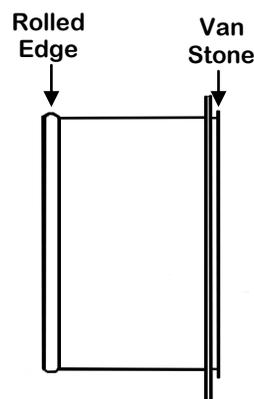
ANGLE FLANGE ADAPTER

DIA	PART #	APPROX. LENGTH	GA.	WGT.	PRICE
3"	CTAFA03	5.0	22	1.4	\$50.30
4"	CTAFA04	3.5	22	1.7	\$50.30
5"	CTAFA05	3.5	22	2.1	\$52.90
6"	CTAFA06	3.5	22	2.5	\$63.30
7"	CTAFA07	3.5	22	3.1	\$68.40
8"	CTAFA08	3.5	22	3.2	\$71.20
9"	CTAFA09	3.5	22	5.0	\$79.70
10"	CTAFA10	3.5	22	5.6	\$84.00
11"	CTAFA11	3.5	22	6.1	\$93.10
12"	CTAFA12	5.0	22	7.2	\$93.10
13"	CTAFA13	5.0	20	7.0	\$97.10
14"	CTAFA14	5.0	20	7.7	\$97.10
15"	CTAFA15	5.0	20	9.2	\$105.60
16"	CTAFA16	5.0	20	11.0	\$105.60
18"	CTAFA18	5.0	20	15.2	\$114.50
20"	CTAFA20	5.0	20	19.5	\$121.70
22"	CTAFA22	5.0	20	26.1	\$130.30
24"	CTAFA24	5.0	20	30.0	\$149.80

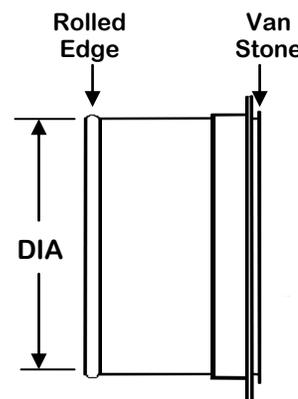
Angle Flange Adapter



- Angle Ring Flange standard
- Optional flat flange
- Specify hole pattern for flat flange (available at additional price)



Flat Flange (Optional)



Standard Angle Ring

IN-CUT SADDLE

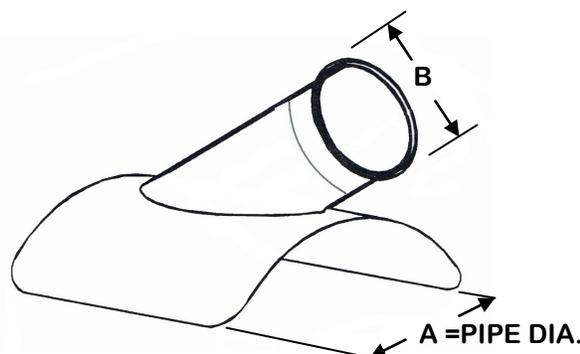
SIZE	PART #	ENDS	GA.	WGT.	PRICE
3"	CTIC03-XX	CT	22	1.3	\$57.90
4"	CTIC04-XX	CT	22	1.5	\$57.90
5"	CTIC05-XX	CT	22	2.1	\$59.30
6"	CTIC06-XX	CT	22	2.8	\$63.70
7"	CTIC07-XX	CT	22	3.5	\$67.40
8"	CTIC08-XX	CT	22	4.5	\$70.60
9"	CTIC09-XX	CT	22	5.4	\$73.70
10"	CTIC10-XX	CT	22	6.5	\$79.70
11"	CTIC11-XX	CT	22	7.6	\$85.80
12"	CTIC12-XX	CT	22	8.8	\$85.80
14"	CTIC14-XX	CT	20	13.7	\$97.10
16"	CTIC16-XX	CT	20	17.2	\$109.50
18"	CTIC18-XX	CT	20	21.3	\$121.50
20"	CTIC20-XX	CT	20	25.6	\$193.20
22"	CTIC22-XX	CT	20	30.5	\$265.80
24"	CTIC24-XX	CT	20	35.4	\$305.90
26"	CTIC26-XX	FL	18	40.3	\$385.40
28"	CTIC28-XX	FL	18	45.0	\$421.30
30"	CTIC30-XX	FL	18	56.5	\$466.10

CT = CLAMP TOGETHER FL = FLANGE

In-Cut



- Priced by B diameter
- Specify B diameter and A pipe diameter
- Standard rolled end
- 30°, 45°, 60° angles available.
- 26" and up are flanged. Additional cost for flange(s)

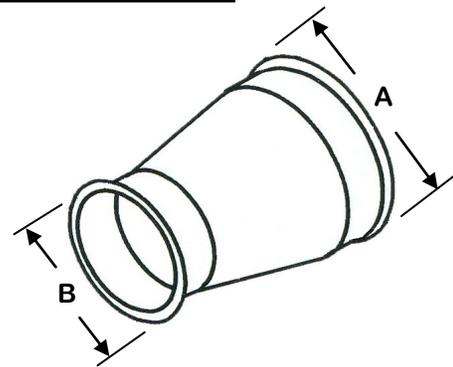


REDUCER

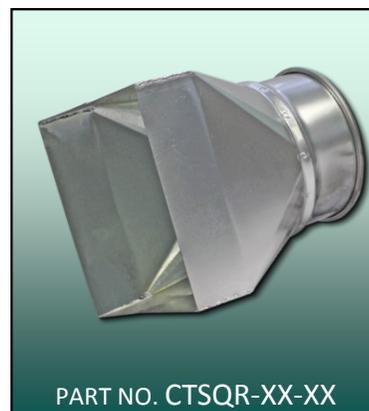
SIZE	PART #	GA.	WGT.	PRICE
4"	CTR04-XX	22	1.3	\$54.10
5"	CTR05-XX	22	1.5	\$55.10
6"	CTR06-XX	22	1.8	\$58.00
7"	CTR07-XX	22	2.0	\$58.40
8"	CTR08-XX	22	2.3	\$59.50
9"	CTR09-XX	22	2.5	\$67.40
10"	CTR10-XX	22	3.0	\$68.50
11"	CTR11-XX	22	3.5	\$80.70
12"	CTR12-XX	20	3.8	\$80.70
14"	CTR14-XX	20	4.5	\$96.20
16"	CTR16-XX	20	7.0	\$132.70
18"	CTR18-XX	20	21.0	\$138.40
20"	CTR20-XX	20	30.0	\$147.10
22"	CTR22-XX	20	39.5	\$167.60
24"	CTR24-XX	20	53.5	\$184.70

Reducer

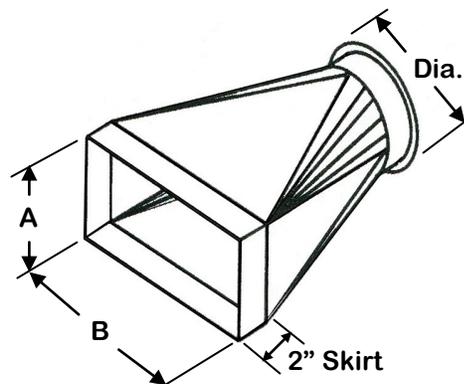

- Priced by large end A
- Specify A, B, Diameter


SQUARE TO ROUND TRANSITION

SIZE	PART #	GA.	WGT.	PRICE
4"	CTSQ04-XX-XX	22	1.3	\$112.30
5"	CTSQ05-XX-XX	22	1.5	\$116.50
6"	CTSQ06-XX-XX	22	1.8	\$120.70
7"	CTSQ07-XX-XX	22	2.0	\$128.50
8"	CTSQ08-XX-XX	22	2.3	\$134.20
9"	CTSQ09-XX-XX	22	2.5	\$139.00
10"	CTSQ10-XX-XX	22	3.0	\$143.90
11"	CTSQ11-XX-XX	22	3.5	\$146.60
12"	CTSQ12-XX-XX	20	3.8	\$146.60
14"	CTSQ14-XX-XX	20	4.5	\$151.90
16"	CTSQ16-XX-XX	20	7.0	\$159.40
18"	CTSQ18-XX-XX	20	21.0	\$164.20
20"	CTSQ20-XX-XX	20	30.0	\$169.80
22"	CTSQ22-XX-XX	20	39.5	\$203.10
24"	CTSQ24-XX-XX	20	53.5	\$233.90

Square (Rectangular) to Round


- Priced by round end Dia.
- Specify A, B dimension
- Square (rectangular) ends to be approx. size of round end
- Standard with 2" skirt raw edge
- Angle Flange available



BLAST GATE MANUAL CAST ALUMINUM

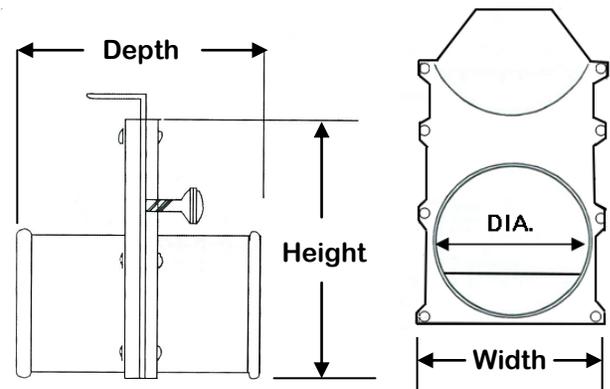
DIA	PART #	ENDS	GALV WIDTH	GALV. HGT.	GALV. DEPTH	WGT.	PRICE
3"	BGFRE03	CT	4.01	5.61	6.18	1.4	\$39.40
4"	BGFRE04	CT	5.00	6.86	5.66	1.8	\$39.40
5"	BGFRE05	CT	6.00	8.00	5.17	2.4	\$41.00
6"	BGFRE06	CT	7.00	10.00	5.70	3.4	\$53.90
7"	BGFRE07	CT	8.00	11.25	5.06	4.4	\$63.80
8"	BGFRE08	CT	9.63	12.63	5.82	5.6	\$75.50
9"	BGFRE09	CT	10.62	13.60	5.33	7.6	\$104.50
10"	BGFRE10	CT	11.38	14.38	5.99	8.4	\$132.80
11"	BGFRE11	CT	12.31	15.38	5.42	7.4	\$172.40
12"	BGFRE12	CT	13.25	16.25	6.06	10.4	\$172.40
14"	BGFRE14	CT	15.76	18.97	6.26	14.2	\$255.30
16"	BGFRE16	CT	17.90	21.28	5.97	18.4	\$371.50
18"	BGFRE18	CT	20.23	32.82	9.04	22.4	\$472.00
20"	BGFRE20	CT	22.37	34.25	9.16	26.4	\$584.80
22"	BGFRE22	CT	24.60	34.21	9.11	30.0	\$638.40
24"	BGFRE24	CT	26.65	34.38	9.15	34.4	\$754.40
26"	BGFRE18	FL	29.25	CALL	CALL	62.0	\$1,440.00
28"	BGFRE20	FL	30.25	CALL	CALL	72.0	\$1,666.80
30"	BGFRE22	FL	33.25	CALL	CALL	97.0	\$2,045.70

CT = CLAMP TOGETHER FL = FLANGE

Die Cast Aluminum Blast Gate



- Manually operated
- Aluminum body, galvanized blade
- Clamp together rolled end collars



BLAST GATE ALL 304 STAINLESS

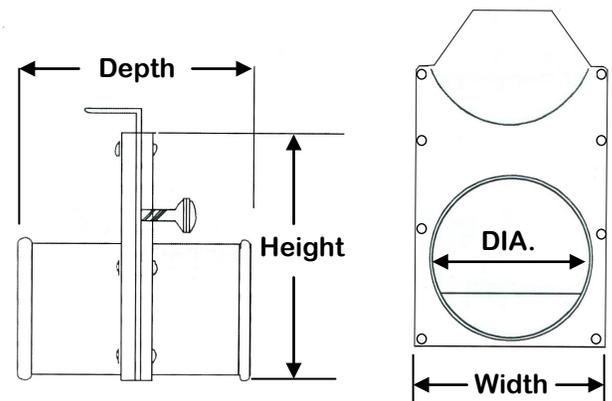
DIA	PART #	ENDS	SS WIDTH	SS HGT.	SS DEPTH	WGT.	PRICE
3"	BGRE03SS	CT	5.0	6.0	5.3	1.5	\$173.90
4"	BGRE04SS	CT	6.0	7.5	5.3	2.3	\$173.90
5"	BGRE05SS	CT	7.0	10.5	5.0	3.0	\$204.00
6"	BGRE06SS	CT	8.0	11.0	5.0	3.8	\$277.00
7"	BGRE07SS	CT	9.0	12.0	5.0	4.5	\$290.30
8"	BGRE08SS	CT	10.0	13.5	5.0	5.5	\$294.70
9"	BGRE09SS	CT	11.0	15.0	5.0	7.0	\$379.50
10"	BGRE10SS	CT	12.0	17.0	5.0	7.5	\$409.70
11"	BGRE11SS	CT	13.0	19.0	5.0	9.5	\$517.90
12"	BGRE12SS	CT	14.0	20.5	5.0	13.0	\$517.90
14"	BGRE14SS	CT	16.0	23.3	5.0	16.0	\$598.30
16"	BGRE16SS	CT	CALL	CALL	CALL	21.2	\$1,112.00
18"	BGRE18SS	CT	CALL	CALL	CALL	25.0	\$1,226.00
20"	BGRE20SS	CT	CALL	CALL	CALL	30.0	CALL
22"	BGRE22SS	CT	CALL	CALL	CALL	34.0	CALL
24"	BGRE24SS	CT	CALL	CALL	CALL	38.0	CALL
26"	BGRE26SS	FL	CALL	CALL	CALL	62.0	CALL
28"	BGRE28SS	FL	CALL	CALL	CALL	72.0	CALL
30"	BGRE30SS	FL	CALL	CALL	CALL	97.0	CALL

CT = CLAMP TOGETHER FL = FLANGE

All Stainless Blast Gate



- Manually operated
- All stainless Steel
- 12 gauge stainless body, 12 gauge slide blade
- Clamp together rolled end collars



GALVANIZED AIR SEAL

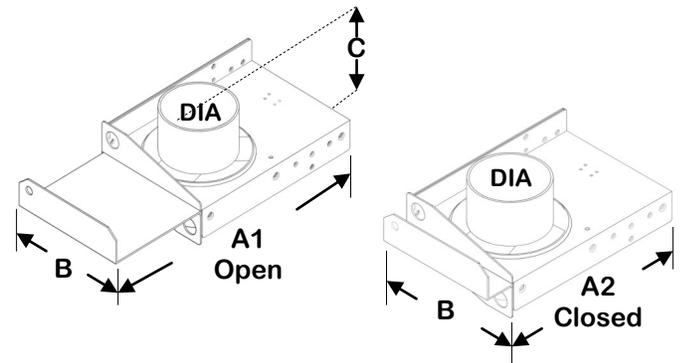
MANUAL BLAST GATE W/ UHMW SEALS

DIA	PART #	A1 INCH	A2 INCH	B INCH	C INCH	WGT. GALV.	PRICE
3"	BGASM03RE	14.56	9.68	6.00	5.86	4.8	\$371.10
4"	BGASM04RE	15.43	11.31	7.00	5.83	6.2	\$371.10
5"	BGASM05RE	18.31	11.37	7.93	5.84	7.8	\$392.10
6"	BGASM06RE	21.43	15.31	8.93	5.94	9.4	\$403.00
7"	BGASM07RE	23.43	15.31	9.00	5.68	15.0	\$432.60
8"	BGASM08RE	29.06	19.94	10.87	6.06	14.0	\$447.30
9"	BGASM09RE	31.06	21.00	12.00	5.68	28.0	\$475.00
10"	BGASM10RE	33.06	23.68	14.62	5.79	27.0	\$530.20
12"	BGASM12RE	40.18	28.19	16.56	5.79	35.8	\$549.20
14"	BGASM14RE	47.50	33.50	17.88	6.68	41.8	\$564.20
16"	BGASM16RE	53.50	37.50	19.88	6.68	47.8	\$600.10
18"	BGASM18RE	59.50	41.50	21.88	6.68	53.8	\$651.49
20"	BGASM20RE	65.50	45.50	23.88	6.68	59.8	\$714.93
22"	BGASM22RE	71.50	49.50	25.88	6.68	65.8	\$768.98

UHMW Galvanized Sealed Blast Gate



- Very low leakage
- Self cleaning for dust & fumes
- Galvanized construction with rolled ends
- Internal UHMW “ultra high molecular weight” seals



STAINLESS STEEL AIR SEAL

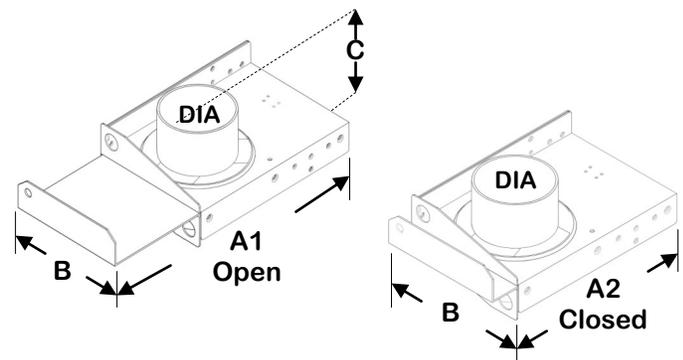
MANUAL BLAST GATE W/ UHMW SEALS

DIA	PART #	A1 INCH	A2 INCH	B INCH	C INCH	WGT. SS	PRICE
3"	BGASM03RESS	14.56	9.68	6.00	5.86	4.8	\$636.40
4"	BGASM04RESS	15.43	11.31	7.00	5.83	6.2	\$636.40
5"	BGASM05RESS	18.31	11.37	7.93	5.84	7.8	\$672.80
6"	BGASM06RESS	21.43	15.31	8.93	5.94	9.4	\$691.00
7"	BGASM07RESS	23.43	15.31	9.00	5.68	15.0	\$741.80
8"	BGASM08RESS	29.06	19.94	10.87	6.06	14.0	\$767.20
9"	BGASM09RESS	31.06	21.00	12.00	5.68	28.0	\$814.60
10"	BGASM10RESS	33.06	23.68	14.62	5.79	27.0	\$909.10
12"	BGASM12RESS	40.18	28.19	16.56	5.79	35.8	\$941.80
14"	BGASM14RESS	47.50	33.50	17.88	6.68	41.8	\$967.30
16"	BGASM16RESS	53.50	37.50	19.88	6.68	47.8	\$1,014.90
18"	BGASM18RESS	59.50	41.50	21.88	6.68	53.8	\$1,043.78
20"	BGASM20RESS	65.50	45.50	23.88	6.68	59.8	\$1,159.06
22"	BGASM22RESS	71.50	49.50	25.88	6.68	65.8	\$1,249.42

UHMW Stainless Sealed Blast Gate



- Very low leakage
- Self cleaning for dust & fumes
- 304 Stainless with rolled ends
- Internal UHMW “ultra high molecular weight” seals

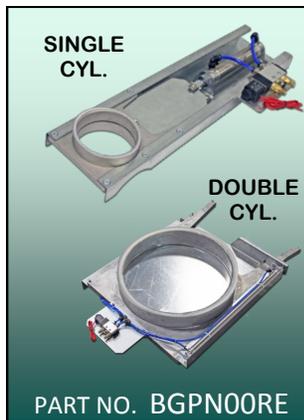


AUTOMATIC DIE CAST ALUMINUM PNEUMATIC BLAST GATE

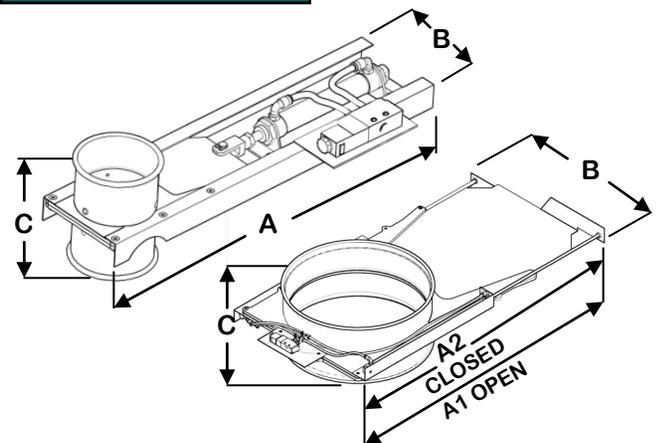
DIA	PART #	SINGLE CYLINDER			DOUBLE CYLINDER				WGT	PRICE
		A INCH	B INCH	C INCH	A1 INCH	A2 INCH	B INCH	C INCH		
3"	BGPN03RE	18.81	3.80	6.18	-	-	-	-	3.8	\$618.60
4"	BGPN04RE	21.76	4.11	5.66	-	-	-	-	4.8	\$618.60
5"	BGPN05RE	25.28	5.09	5.17	-	-	-	-	5.2	\$630.90
6"	BGPN06RE	27.81	6.10	5.70	-	-	-	-	7.0	\$630.90
7"	BGPN07RE	31.53	7.10	5.06	-	-	-	-	8.2	\$680.40
8"	BGPN08RE	-	-	-	22.50	13.50	11.60	5.82	8.5	\$742.20
9"	BGPN09RE	-	-	-	24.50	14.38	12.60	5.33	8.5	\$773.30
10"	BGPN10RE	-	-	-	27.60	15.38	13.37	5.99	10.5	\$773.30
12"	BGPN12RE	-	-	-	30.57	17.31	13.26	6.03	13.7	\$804.20
14"	BGPN14RE	-	-	-	35.49	20.00	17.99	6.26	15.8	\$897.00
16"	BGPN16RE	-	-	-	39.79	22.25	20.11	5.97	17.9	\$1,002.00
18"	BGPN18RE	-	-	-	42.13	24.13	21.98	8.62	20.1	\$1,113.40
20"	BGPN20RE	-	-	-	44.93	24.93	24.40	8.76	22.3	\$1,200.00
22"	BGPN22RE	-	-	-	49.10	27.10	27.00	8.66	24.5	\$1,311.30
24"	BGPN24RE	-	-	-	53.17	29.17	29.20	8.66	26.7	\$1,459.80

Stainless Steel Available
All cylinders have internal magnets

Automatic Die Cast Aluminum Pneumatic



- Cast aluminum body w/ galv. slide blade, rolled edges
- Operated by 90-100 P.S.I. compressed air
- 120VAC or 240VDC electric coil, please specify
- Designed for dust & fumes
- Single cylinders 3" to 7". Double cylinder (compact series) 8" to 24"



AUTOMATIC GALV. AIR SEAL PNEUMATIC BLAST GATE W/UMHW SEALS

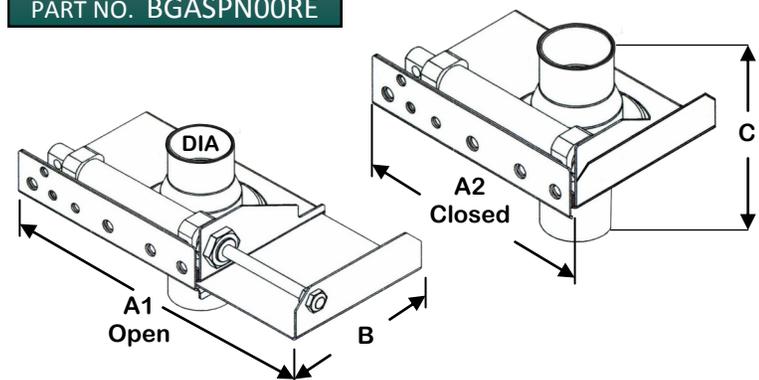
DIA	PART #	CYL.	A1 INCH	A2 INCH	B INCH	C INCH	WGT.	PRICE
3"	BGASPN03RE	1	14.57	10.32	6.00	5.86	4.8	\$889.90
4"	BGASPN04RE	1	15.45	10.32	7.00	5.83	6.2	\$889.90
5"	BGASPN05RE	1	18.32	12.32	7.94	5.84	7.8	\$934.40
6"	BGASPN06RE	1	21.43	14.25	8.94	5.94	7.8	\$934.40
7"	BGASPN07RE	1	29.07	18.13	10.88	5.68	9.4	\$956.70
8"	BGASPN08RE	1	29.07	18.13	10.88	6.06	14.0	\$956.70
10"	BGASPN10RE	2	32.07	22.13	14.63	5.79	27.0	\$1,029.00
12"	BGASPN12RE	2	40.18	27.18	16.56	5.79	35.8	\$1,056.80
14"	BGASPN14RE	2	47.50	33.50	17.88	6.68	41.8	\$1,179.10
16"	BGASPN16RE	2	53.50	37.50	19.88	6.68	27.8	\$1,334.90
18"	BGASPN18RE	2	59.50	41.50	21.88	6.68	53.8	\$1,435.00
20"	BGASPN20RE	2	65.50	45.50	23.88	6.68	59.8	\$1,557.40
22"	BGASPN22RE	2	71.50	49.50	25.88	6.68	65.8	\$1,613.00
24"	BGASPN24RE	2	77.50	53.50	27.88	6.68	71.8	\$1,690.20

Stainless steel available
All cylinders have internal magnets

Automatic Galv. Pneumatic Blast Gate



- UHMW (Ultra High Molecular Weight) seals
- Very low leakage
- Designed for dust & fumes
- 120VAC or 24VDC valve/coil. Please specify
- Single cylinder 3" to 7" Double cylinder 8" to 24"
- All galv. w/ rolled edges



REED SWITCH W/MOUNTING STRAP

PART #	PRICE (SET OF 2)
BGRS02	\$93.50

- Senses when blast Gate is open/closed
- Used with all automatic Blast Gates

RUBBER HOSE, BLACK

DIA.	PART #	WGT. PER FT.	PRICE PER FT
2"	HT702	0.2	\$4.60
2.5"	HT72.5	0.3	\$6.17
3"	HT703	0.3	\$6.86
3.5"	HT73.5	0.4	\$8.83
4"	HT704	0.5	\$8.87
5"	HT705	0.6	\$9.42
6"	HT706	0.9	\$10.39
7"	HT707	1.0	\$11.84
8"	HT708	1.0	\$13.38
10"	HT710	1.6	\$17.72
12"	HT712	2.0	\$21.20
PRICED PER FOOT			

Black Rubber Hose


- Black flexible hose w/ steel helix
- Dust, materials, fumes
- Sold in 5' increments
- Use CTHA hose adapter with this hose (see page 12)
- Larger diameter hose is available

Standard Hose Clamp - Stainless


- All stainless steel construction

STAINLESS HOSE CLAMP

DIA.	PART #	WGT.	PRICE
2"	HC02	0.05	\$2.80
2.5"	HC2.5	0.06	\$2.80
3"	HC03	0.06	\$2.80
4"	HC04	0.07	\$4.50
5"	HC05	0.08	\$4.50
6"	HC06	0.09	\$5.60
7"	HC07	0.10	\$6.70
8"	HC08	0.14	\$8.40
10"	HC10	0.17	\$9.50
12"	HC12	0.20	\$13.70

RUBBER HOSE, CLEAR

DIA.	PART #	WGT. PER FT.	PRICE PER FT
2"	HR402	0.2	\$4.60
2.5"	HR402.5	0.3	\$6.34
3"	HR403	0.3	\$7.08
4"	HR404	0.5	\$8.06
5"	HR405	0.6	\$9.04
6"	HR406	0.9	\$9.46
7"	HR407	1.0	\$11.78
8"	HR408	1.0	\$13.20
10"	HR410	1.6	\$16.74
12"	HR412	2.0	\$20.29
PRICED PER FOOT			

Clear Rubber Hose

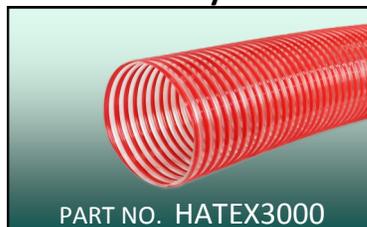

- Clear FDA approved flexible rubber hose w/ steel helix
- Dust, materials, fumes
- Sold in 5' increments
- Use CTHA hose adapter with this hose (see page 12)

Bridge Clamp - Stainless


- Conforms over wire helix for a more secure fit
- All stainless steel

ATEX POLYFLEX 30

DIA.	PART #	WGT. PER FT.	PRICE
2"	HATEX3002	0.3	\$10.77
2.5"	HATEX3002.5	0.4	\$12.55
3"	HATEX3003	0.5	\$12.60
4"	HATEX3004	0.8	\$15.89
5"	HATEX3005	1.0	\$19.02
6"	HATEX3006	1.5	\$23.48
7"	HATEX3007	1.5	\$24.00
8"	HATEX3008	2.0	\$24.30
10"	HATEX3010	2.0	\$33.94
12"	HATEX3012	3.0	\$37.58
14"	HATEX3014	3.5	\$47.18
16"	HATEX3016	4.0	\$59.11
18"	HATEX3018	5.0	\$72.35
PRICED PER FOOT			

ATEX Polyflex 30


- ATEX Certified for combustible dusts (wood dust, powders, plastics)
- Anti-static $10^9 \Omega$, Fire Retardant
- Highly abrasive resistant polyurethane. Spring Steel Helix
- Replaces standard urethane, PVC & thermo plastic hoses.
- Temp -25° F to 225° F Wall .031

BRIDGE HOSE CLAMP

DIA.	PART #	WGT.	PRICE
2"	BC02	0.2	\$6.15
2.5"	BC2.5	0.3	\$6.66
3"	BC03	0.3	\$6.66
3.5"	BC3.5	0.4	\$7.28
4"	BC04	0.5	\$7.28
5"	BC05	0.6	\$7.99
6"	BC06	0.7	\$9.94
7"	BC07	0.9	\$11.28
8"	BC08	1.0	\$12.20
10"	BC10	1.0	\$14.35
12"	BC12	1.2	\$20.71

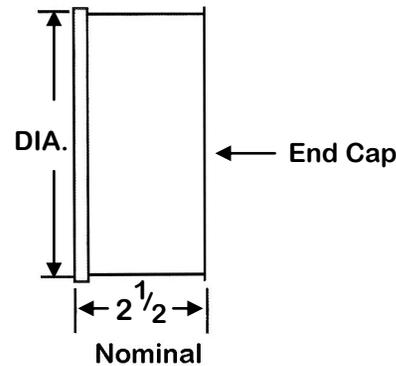
END CAP

DIA.	PART #	GALV. GA.	WGT. LBS.	PRICE
3"	CTEC03	18	0.3	\$16.50
4"	CTEC04	22	0.4	\$16.50
5"	CTEC05	22	0.5	\$17.80
6"	CTEC06	22	0.7	\$20.10
7"	CTEC07	22	0.9	\$22.60
8"	CTEC08	22	1.1	\$23.90
9"	CTEC09	22	1.4	\$26.10
10"	CTEC10	22	1.7	\$27.30
11"	CTEC11	22	1.9	\$28.80
12"	CTEC12	22	2.1	\$28.80
14"	CTEC14	20	3.1	\$30.70
16"	CTEC16	20	4.0	\$32.30
18"	CTEC18	20	4.9	\$34.30
20"	CTEC20	20	5.5	\$36.50
22"	CTEC22	20	6.3	\$37.60
24"	CTEC24	20	7.9	\$43.50

End Cap



- End Caps enable users to close off taps for future use
- End Caps larger than 24" will be a flat plate and angle rings. Call for pricing



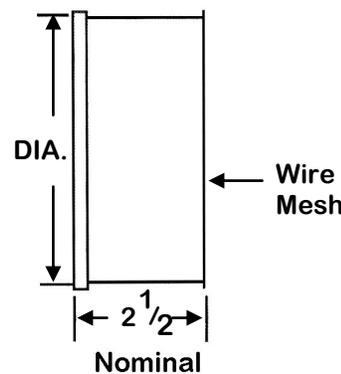
END CAP WITH BIRD SCREEN

DIA.	PART #	GALV. GA.	WGT. LBS.	PRICE
3"	CTECBS03	18	0.3	\$41.70
4"	CTECBS04	22	0.3	\$41.70
5"	CTECBS05	22	0.4	\$43.50
6"	CTECBS06	22	0.5	\$45.10
7"	CTECBS07	22	0.6	\$48.20
8"	CTECBS08	22	0.7	\$49.40
9"	CTECBS09	22	0.8	\$51.60
10"	CTECBS10	22	0.9	\$52.70
11"	CTECBS11	22	1.0	\$54.40
12"	CTECBS12	22	1.0	\$54.40
14"	CTECBS14	20	1.3	\$56.10
16"	CTECBS16	20	1.5	\$57.50
18"	CTECBS18	20	1.8	\$59.90
20"	CTECBS20	20	1.9	\$61.80
22"	CTECBS22	20	2.1	\$63.10
24"	CTECBS24	20	2.9	\$72.40

End Cap With Bird Screen

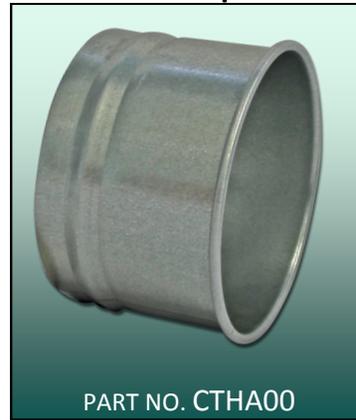


- End Caps with bird screen 1/2" wire mesh
- End Caps larger than 24" will have expanded metal. Call for pricing

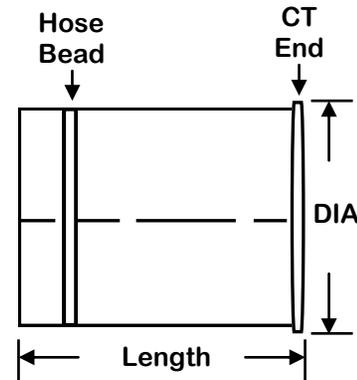


HOSE ADAPTER

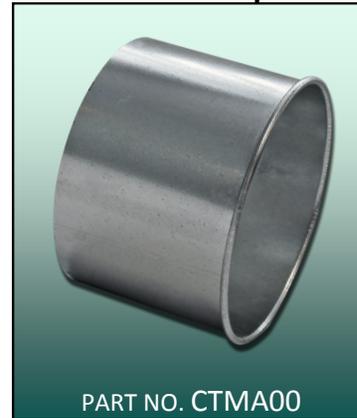
DIA.	PART #	APPROX. LENGTH	GA.	WGT.	PRICE
3"	CTHA03	5.5	22	0.6	\$24.10
4"	CTHA04	4.0	22	0.8	\$24.10
5"	CTHA05	4.0	22	1.0	\$26.90
6"	CTHA06	4.0	22	1.1	\$31.60
7"	CTHA07	4.0	22	1.3	\$34.10
8"	CTHA08	4.0	22	1.5	\$36.50
9"	CTHA09	4.0	22	1.7	\$38.60
10"	CTHA10	4.0	22	2.0	\$41.00
11"	CTHA11	4.0	22	2.1	\$43.90
12"	CTHA12	4.0	22	2.3	\$43.90
14"	CTHA14	5.5	20	2.7	\$46.30
16"	CTHA16	5.5	20	3.2	\$48.50
18"	CTHA18	5.5	20	3.5	\$53.50
20"	CTHA20	5.5	20	4.0	\$55.20
22"	CTHA22	5.5	20	4.3	\$60.80
24"	CTHA24	5.5	20	5.6	\$69.80

Hose Adapter


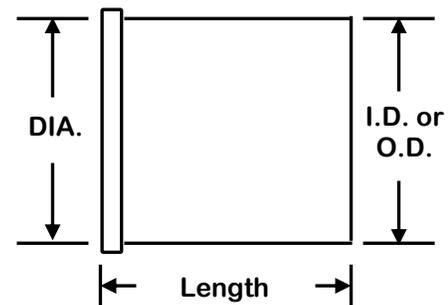
- Used to connect rubber flex hose
- Not designed for use with metal flex hose


MACHINE ADAPTER

DIA.	PART #	RAW ID	RAW OD	GA.	WGT.	PRICE
3"	CTMA03	2.90"	3.00"	22	0.6	\$23.80
4"	CTMA04	3.86"	3.93"	22	0.8	\$23.80
5"	CTMA05	4.87"	4.94"	22	1.0	\$26.40
6"	CTMA06	5.89"	5.96"	22	1.1	\$31.00
7"	CTMA07	6.89"	6.96"	22	1.4	\$33.20
8"	CTMA08	7.88"	7.95"	22	1.5	\$35.80
9"	CTMA09	8.88"	8.95"	22	1.8	\$37.90
10"	CTMA10	9.89"	9.95"	22	2.0	\$40.40
11"	CTMA11	10.88"	10.94"	22	2.1	\$43.00
12"	CTMA12	11.97"	12.04"	22	2.3	\$43.00
14"	CTMA14	13.96"	14.04"	20	2.7	\$45.50
16"	CTMA16	15.97"	16.04"	20	3.2	\$47.60
18"	CTMA18	17.96"	18.04"	20	3.5	\$52.50
20"	CTMA20	19.96"	20.04"	20	3.9	\$54.30
22"	CTMA22	21.97"	22.05"	20	4.3	\$59.60
24"	CTMA24	23.94"	24.02"	20	5.6	\$68.70

Machine Adapter


- Standard style is one end raw, Other end is rolled
- Approx. lengths 4" — 5.5"
- Please specify I.D. or O.D.
- Size required



FLOOR SWEEPS

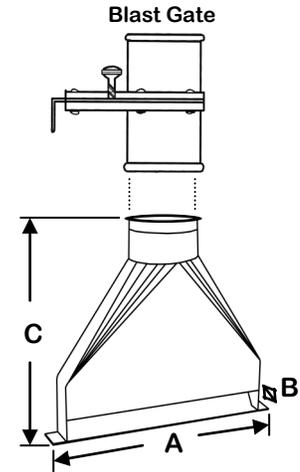
SIZE	PART #	ENDS	A INCH	B INCH	C INCH	WGT.	PRICE
4"	CTFS04	CT	12	1.5	18	6.9	\$220.40
5"	CTFS05	CT	16	1.5	18	7.3	\$231.50
6"	CTFS06	CT	16	1.5	18	7.6	\$242.30

CT = CLAMP TOGETHER ~ ADDITIONAL SIZES AVAILABLE

Floor Sweeps

- Quick and effective floor cleaning
- Blast Gate required to close Floor Sweep
- Blast Gate sold separately

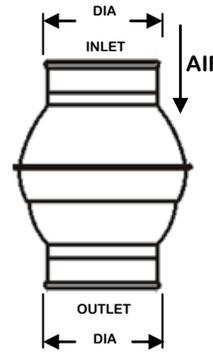
Floor Sweeps



BALL JOINTS

SIZE	PART #	LENGTH	WGT. LBS.	PRICE
3"	CTBJ03	8.87	1.0	\$190.42
4"	CTBJ04	9.50	2.1	\$199.20
5"	CTBJ05	11.00	3.2	\$225.39
6"	CTBJ06	11.75	3.9	\$251.70
7"	CTBJ07	11.37	4.0	\$293.49
8"	CTBJ08	14.00	5.0	\$335.30
9"	CTBJ09	14.37	6.0	\$387.23
10"	CTBJ10	14.25	9.0	\$440.30
12"	CTBJ12	15.25	9.3	\$492.70

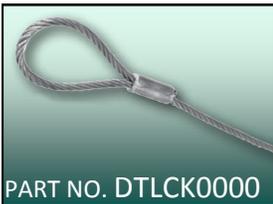
Ball Joints



Ball Joints

- Extends life of flex hose
- Used on CNC machines or other articulating equipment
- Zinc plated

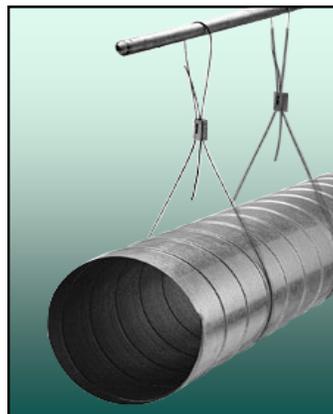
LOOPED CABLE



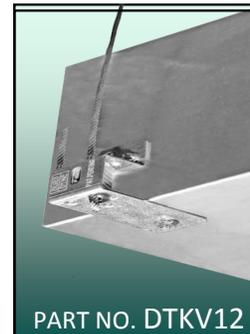
- Sold as a kit with a cable lock
- 15 ft long

PART #	MAX LOAD	LOCK	PRICE/1 PK
DTLCK33215	25-150 LBS	CL12	\$11.00
DTLCK1815	25-250 LBS	CL18	\$13.20

CABLE DUCT HANGER



KV BRACKET



- KV Bracket must be hung at a 90 degree angle to the suspension point
- Used for hanging rectangular duct

PART #	MAX LOAD	PRICE/10 PK
DTKV12	150 LBS	\$33.12

CABLE



- Aviation grade galvanized wire rope

DIA.	PART #	FT/ROLL	PRICE
3/32	DTWR332500	500 FT	\$108.22
1/8	DTWR18500	500 FT	\$121.36
3/16	DTWR316250	250 FT	\$108.11

CABLE LOCKS



PART #	MAX LOAD	PRICE/10 CT
DTCL12	150 LBS	\$25.56
DTCL18	250 LBS	\$40.24
DTCL23	640 LBS	\$57.94

CABLE CUTTER



- Spring loaded for ease of use and safety

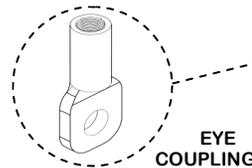
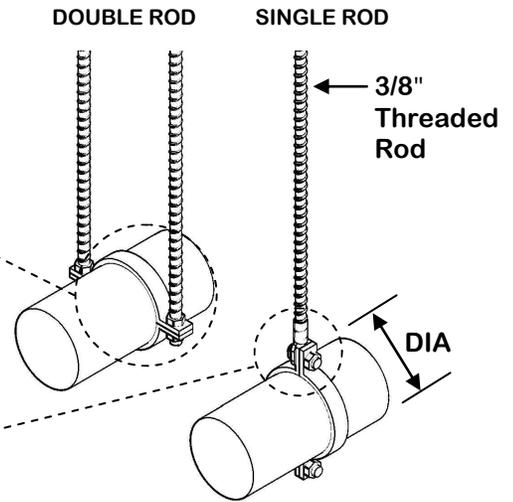
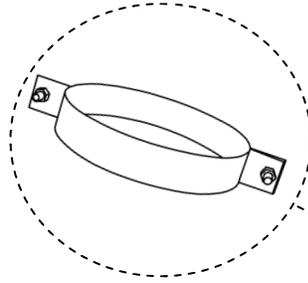
PART #	PRICE
DTWRC	\$55.20

PIPE HANGER

DIA	PART #	WGT.	PRICE
3"	HR03	0.4	\$7.90
4"	HR04	0.5	\$7.90
6"	HR06	0.5	\$10.00
7"	HR07	0.6	\$10.00
8"	HR08	0.7	\$12.00
9"	HR09	0.8	\$14.90
10"	HR10	0.9	\$15.60
11"	HR11	1.0	\$17.40
12"	HR12	1.0	\$17.40
14"	HR14	1.2	\$19.80
16"	HR16	1.4	\$25.70
18"	HR18	1.5	\$27.30
20"	HR20	1.8	\$29.90
22"	HR22	6.0	\$36.80
24"	HR24	6.0	\$42.10

Pipe Hanger


- 1 1/2" Wide 14 gauge galvanized construction
- Can be used as a single or double rod hanger



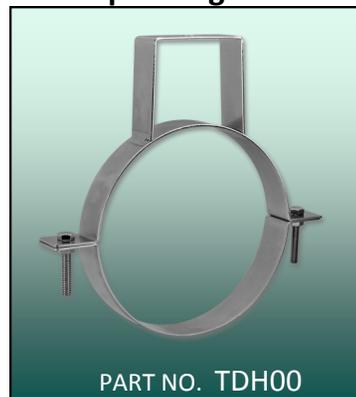
EYE COUPLING

EYE COUPLING

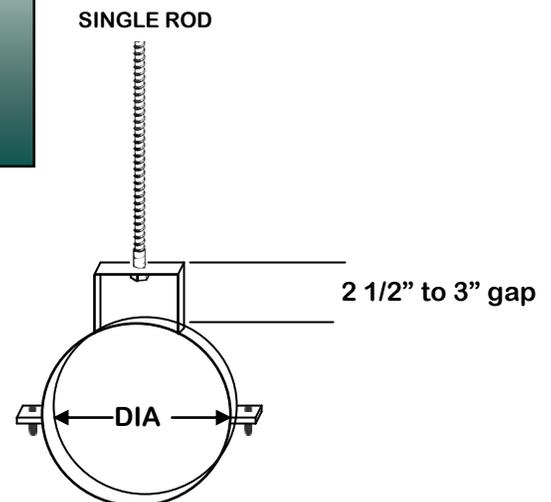
DIA	PART #	WEIGHT	PRICE
3/8	TREC	0.2	\$2.05

PIPE HANGER HJ

DIA	PART #	WGT.	PRICE
3"	CTHJ03	0.4	\$15.70
4"	CTHJ04	0.5	\$15.70
5"	CTHJ05	0.6	\$17.60
6"	CTHA06	0.7	\$19.90
7"	CTHJ07	0.8	\$19.90
8"	CTHJ08	0.9	\$23.80
9"	CTHJ09	1.1	\$29.40
10"	CTHJ10	1.1	\$31.30
11"	CTHJ11	1.3	\$34.70
12"	CTHJ12	1.4	\$34.70
13"	CTHJ13	1.6	\$39.60
14"	CTHJ14	1.8	\$39.60
16"	CTHJ16	2.2	\$54.40
18"	CTHJ18	2.8	\$56.60
20"	CTHJ20	3.4	\$59.80
22"	CTHJ22	4.1	\$73.40
24"	CTHJ24	5.0	\$84.50

Pipe Hanger HJ


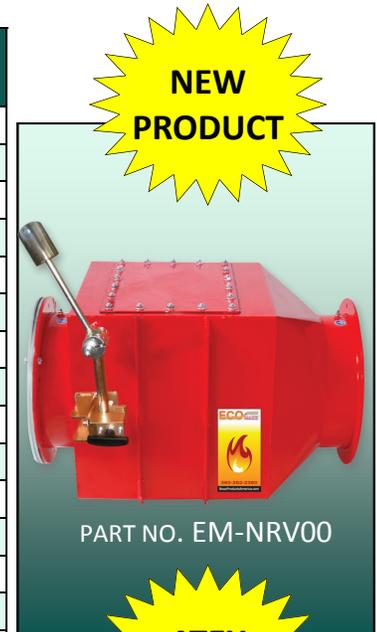
- 3" to 24", 14 gauge galvanized construction
- Bolts are supplied with hanger



NRV

DIA	PART #	A	B	C	D	E	F	G	H	I	WGT. LBS.	PRICE
7"	EM-NRV07	14.10	13.30	21.60	13.30	11.80	7.00	6.60	-	-	45.0	\$3,040.00
8"	EM-NRV08	14.10	13.30	21.60	13.30	11.80	7.00	6.60	-	-	45.0	\$3,267.00
10"	EM-NRV10	16.10	15.30	23.60	15.30	12.70	8.00	7.60	-	-	56.0	\$3,333.00
12"	EM-NRV12	18.10	17.30	26.30	23.60	13.70	9.00	8.60	-	4.50	84.0	\$3,733.00
14"	EM-NRV14	20.00	19.20	28.30	25.50	14.70	10.00	9.60	-	4.50	100.0	\$4,000.00
16"	EM-NRV16	22.00	23.20	30.30	29.50	15.70	11.00	10.60	13.70	6.40	120.0	\$4,800.00
18"	EM-NRV18	24.00	25.10	32.20	33.20	16.70	12.00	11.60	15.70	8.40	150.0	\$4,932.00
20"	EM-NRV20	25.90	27.10	34.20	38.70	17.70	12.90	12.50	18.10	12.40	177.0	\$5,325.00
22"	EM-NRV22	27.90	29.10	36.20	37.40	18.70	13.90	12.50	19.60	8.40	221.0	\$5,600.00
24"	EM-NRV24	29.90	31.10	38.10	41.10	19.60	14.90	14.50	21.60	10.40	254.0	\$7,200.00
26"	EM-NRV26	31.80	33.00	40.10	45.00	20.60	15.90	15.50	23.80	12.40	276.0	\$7,620.00
28"	EM-NRV28	33.80	35.00	42.10	47.00	21.60	16.90	16.50	25.50	12.40	298.0	\$8,107.00
32"	EM-NRV32	38.50	40.10	52.30	56.40	25.90	25.90	18.80	28.10	14.10	728.0	\$12,220.00
36"	EM-NRV36	42.50	44.50	56.20	60.40	27.90	27.90	20.80	27.90	14.10	860.0	\$13,400.00
40"	EM-NRV40	46.10	48.00	60.20	64.30	29.90	29.90	22.80	35.80	14.10	999.0	\$14,890.00

NRV PRESSURE DROP FOR SIZES 7" TO 14" IS 0.39 / SIZES 16" TO 28" IS 0.63
 NRV PRESSURE DROP FOR SIZES 32" TO 40" IS 0.63

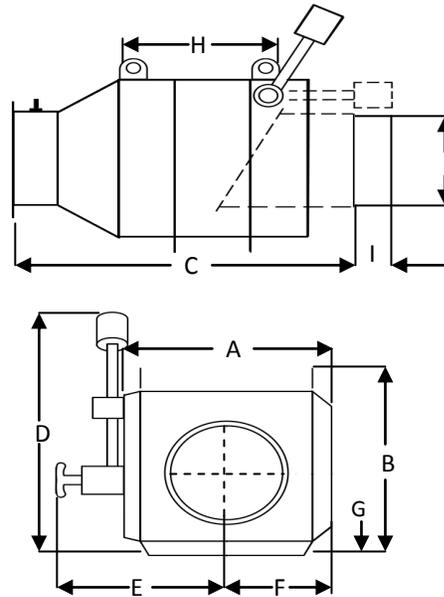


PART NO. EM-NRV00



No Return Valve

- ATEX Certified
- Used to eliminate blast "front" from returning to the building.
- Protects workers and facilities from the damaging effect of a baghouse or filter explosion.
- Flanged inlet and outlet with co-flanges
- Inspection/access door
- Grounding lug
- Locking mechanism
- Please call for spark detection system pricing and information



ATEX POLYFLEX 30



See pages 10 & 17



NRV ACCESSORIES

With the following options the NRV is 100% NFPA 69-2014 Compliant:		PRICE
EM-NRV-MS:	Micro-switch for system shut down	\$140.00
EM-NRV-DLS:	Dust level sensor	\$332.00
EM-NRV-CP:	Control panel for sensor power and integration	\$2,330.00



Dust Level Sensor



Microswitch



Control Panel - Open



PART NO. EM-NRV-CP

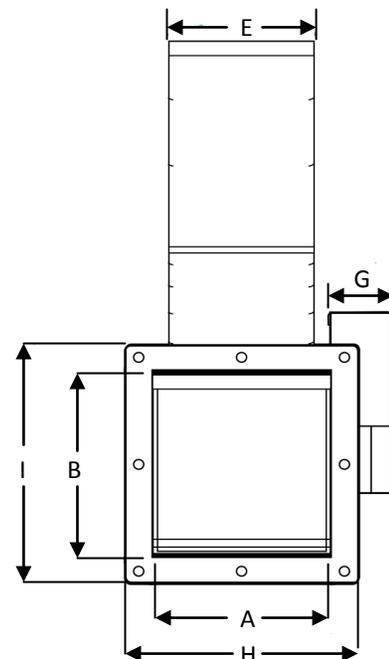
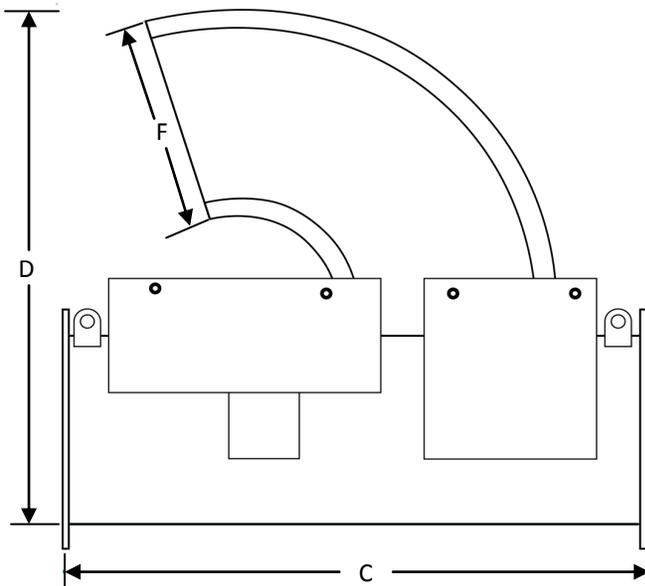
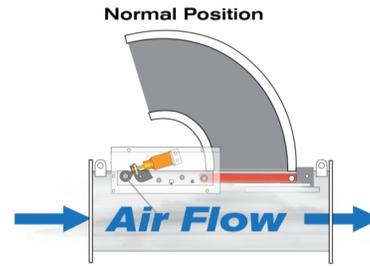
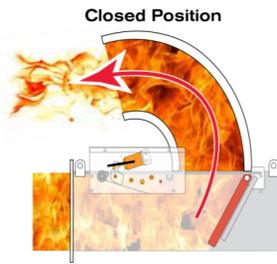
HIGH SPEED ABORT GATE

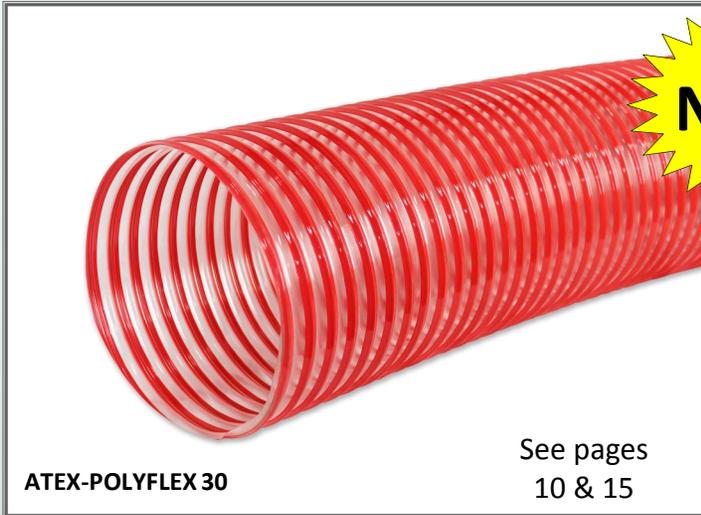
PART #	A	B	C	D	E	F	G	H	I	WGT. LBS	PRICE
EM-HSAG08	7.87	8.66	27.08	23.74	6.38	9.41	5.12	10.24	11.02	51.0	\$3,619.00
EM-HSAG12	11.42	11.81	31.78	30.63	9.92	13.15	5.12	13.78	14.17	89.0	\$4,189.00
EM-HSAG18P	16.93	17.72	37.28	43.07	15.43	19.69	5.12	19.29	20.08	166.0	\$6,010.00
EM-HSAG24P	21.65	22.83	43.26	54.29	20.16	25.79	5.12	24.80	25.98	265.0	\$6,703.00
EM-HSAG28P	25.98	27.17	48.42	63.78	24.49	30.94	5.12	29.92	31.10	375.0	\$8,668.00
EM-HSAG34P	31.10	32.28	54.05	74.65	29.61	36.69	5.12	34.05	36.22	563.0	\$10,344.00
EM-HSAG40P	35.04	36.22	58.70	83.23	33.54	41.34	5.12	38.98	40.94	662.0	\$11,544.00
EM-HSAG44P	39.76	40.94	64.25	93.50	38.27	46.89	5.12	44.48	45.66	805.0	\$12,760.00
EM-HSAG50P	44.09	45.28	69.37	102.95	42.60	52.01	5.12	48.81	50.00	926.0	\$14,242.00
FLANGED INLET/OULET - 24VDC MAGNET											



High Speed Abort Gate

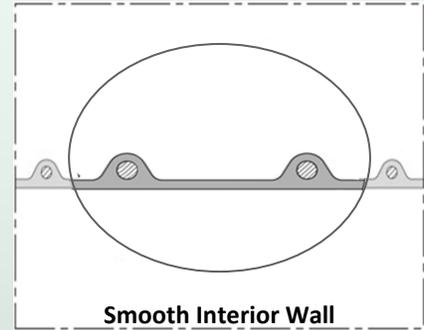
- 24v control panel with status lights for connection to spark detection
- Optional Weather hood
- Manual rearm (sizes 8" - 12")
- Pneumatic rearm (sizes 18" - 50")
- Triple security protection
- Epoxy powder coated safety red finish
- Flanged inlet & outlet
- NFPA compliant with spark detection control
- Please call for spark detection system Pricing and information





ATEX-POLYFLEX 30

See pages
10 & 15



Smooth Interior Wall
ATEX CERTIFIED TRG727

ATEX-POLYFLEX 30

- ATEX Certified for combustible dusts (wood dust, powders, plastics)
- Used with combustionable dusts
- Anti-static
- Fire retardant <math><10^9 \Omega</math>
- Highly abrasive resistant polyurethane
- Resistant to oils, gasoline, chemicals
- Flexible with smooth interior
- Replaces standard urethane, PVC and thermo plastic hoses
- Spring steel wire helix
- Temp -25° F to 225° F Wall .031

APPLICATIONS

- Woodworking machinery , CNC
- Powders, plastic pellets
- Explosion hazardous areas
- Recommended for use in systems using Isolation Valves and Abort Dampers

Dia.	Hose Part #	List Price Per Foot
2"	HATEX3002	\$10.77
2.5"	HATEX3002.5	\$12.55
3"	HATEX3003	\$12.60
4"	HATEX3004	\$15.89
5"	HATEX3005	\$19.02
6"	HATEX3006	\$23.48
7"	HATEX3007	\$24.00
8"	HATEX3008	\$24.30
10"	HATEX3010	\$33.94
12"	HATEX3012	\$37.58
14"	HATEX3014	\$47.18
16"	HATEX3016	\$59.11
18"	HATEX3018	\$72.35

Metric sizes available and in stock
5' increments up to 50'
No cut charges

BRIDGE CLAMPS

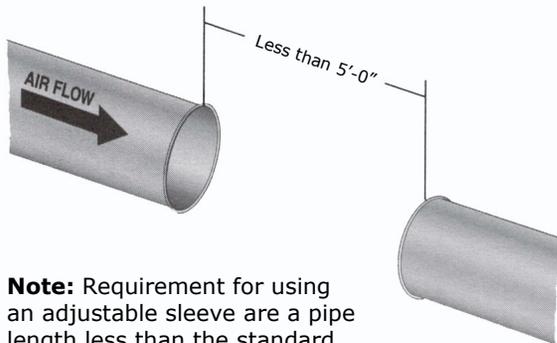
Stainless steel bridge clamps recommended
See page 10



Bridge Clamp

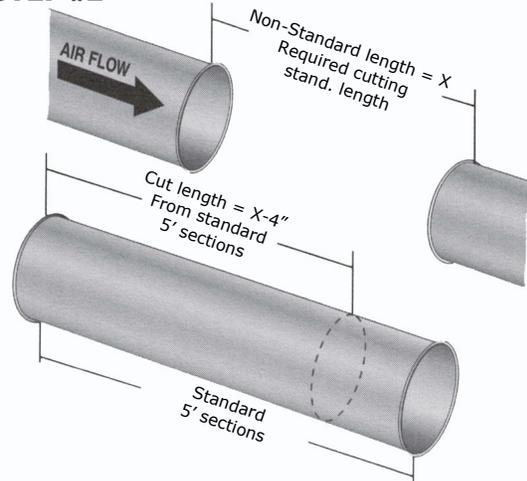
Instructions: Adjustable Sleeve w/ O-Ring

STEP #1

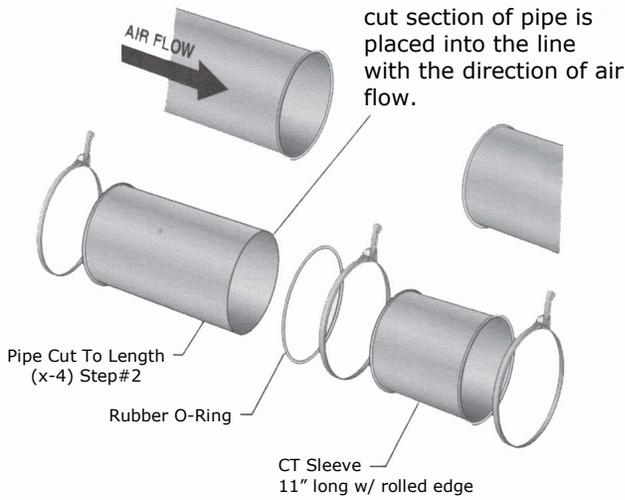


Note: Requirement for using an adjustable sleeve are a pipe length less than the standard 5'-0" section of pipe

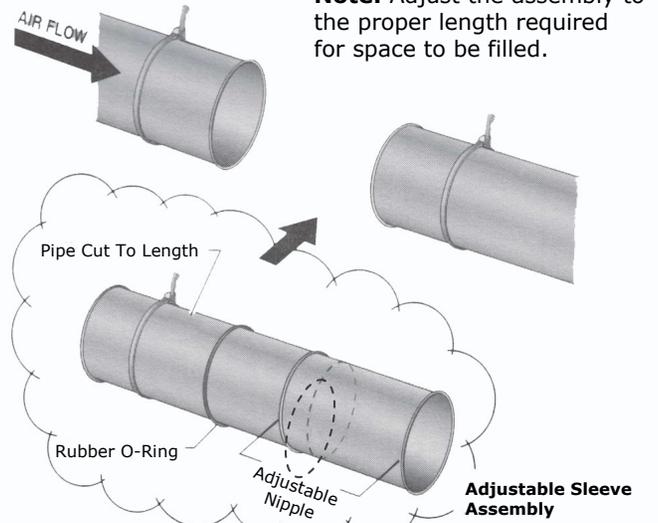
STEP #2



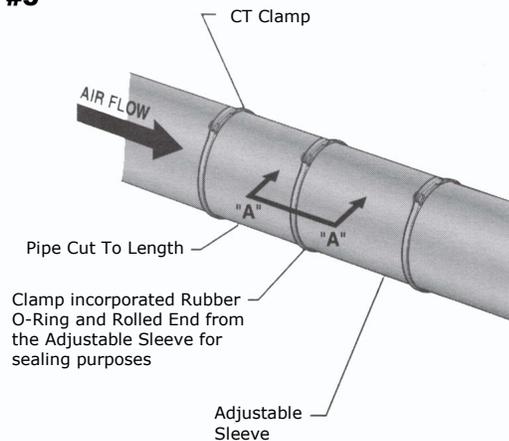
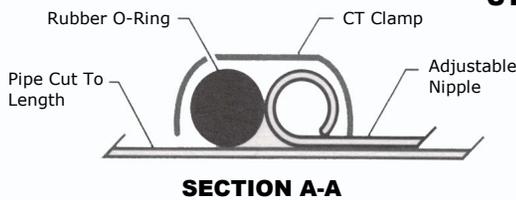
STEP #3



STEP #4



STEP #5



See page 1



PART NO. CTSLEEVE00



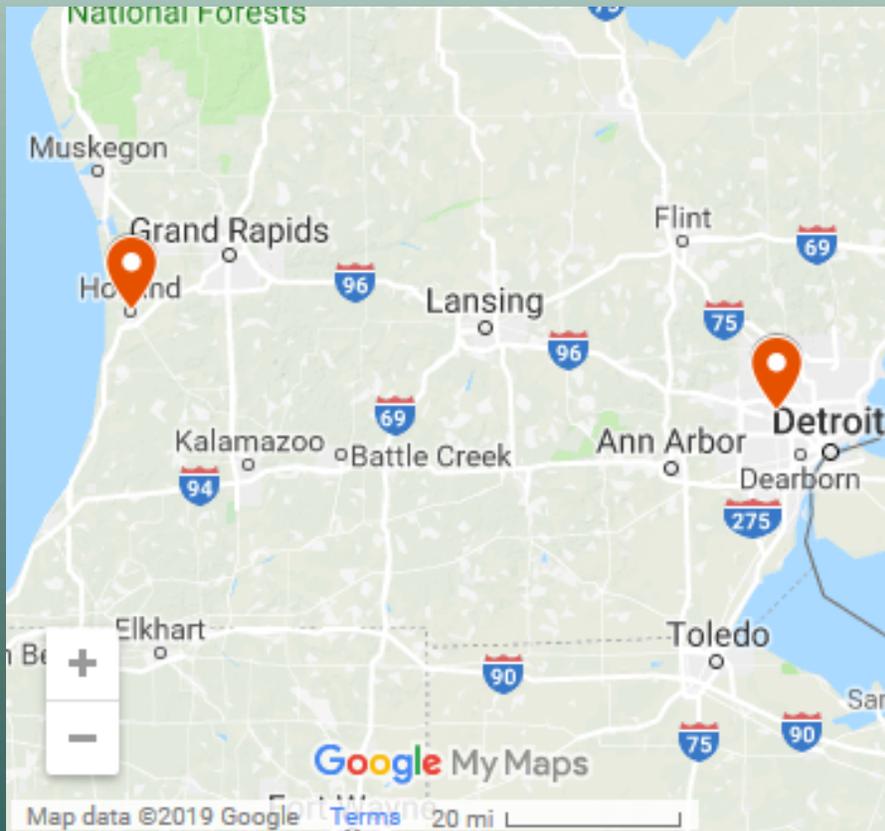
Commercial & Industrial HVAC Equipment

Corporate Headquarters

22517 Telegraph Road • Southfield, Michigan 48033 • Toll Free: 1.800.875.8811 • Phone: 248.447.0400

West Michigan Office

217 East 24th Street • Suite 102-M • Southfield, Michigan 49423 • Phone: 616.7247704



www.airdesign.com